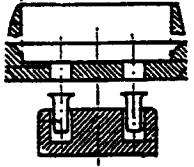
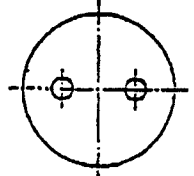
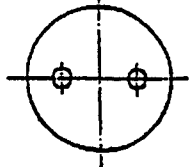
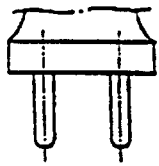
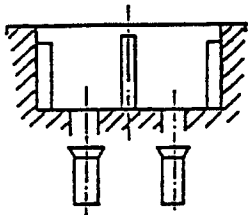
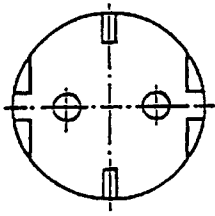
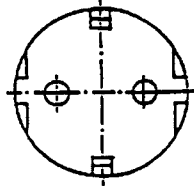
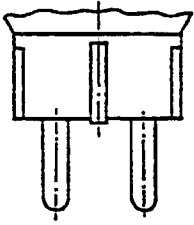
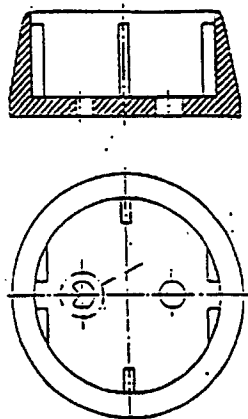
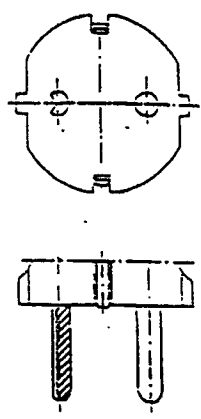
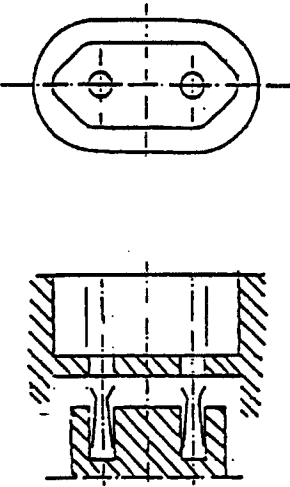
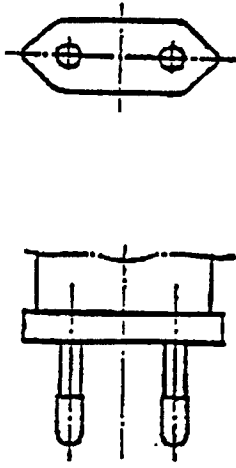
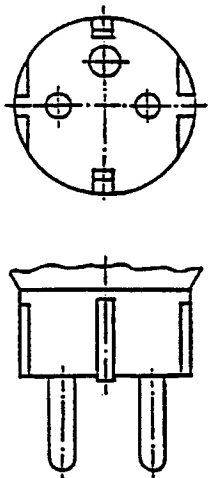
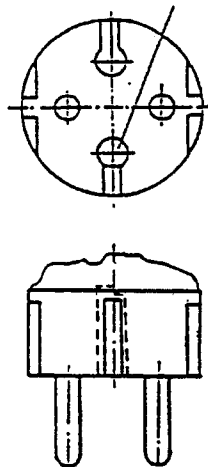


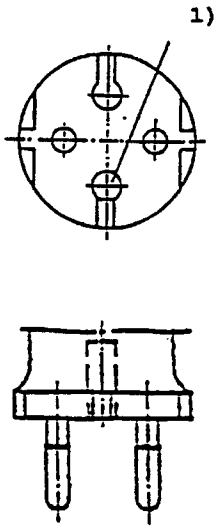
IEC 60083	NATIONAL SYSTEM USED IN FINLAND		Fi 1 of Fi 7	
			Date: 1994-11-09	
Number of Poles	Rated Values of Accessory		Sketch Designations	
	Voltage V	Current A	Socket-outlets	Plugs
2P	250	16	  SFS 5610 (CEE 7) Standard sheet I Fixed and portable	  SFS 5610 (CEE 7) Standard sheet II
Socket-outlets also accept plugs according to standard SFS 5610 (CEE Publication 7) Standard sheets IV, VII, XVI, XVII and plugs according to standard EN 50075.				
For reference and further information, see Fi 7				

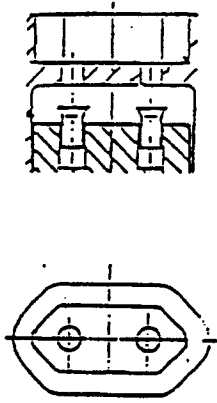
IEC 60083	NATIONAL SYSTEM USED IN FINLAND		FI 2 of FI 7	
			Date: 1994-11-09	
Number of Poles	Rated Values of Accessory		Sketch Designations	
	Voltage V	Current A	Socket-outlets	Plugs
2P+⊕	250	16	  <p>SFS 5610 (CEE 7) Standard sheet III</p> <p>Fixed and portable</p>	  <p>SFS 5610 (CEE 7) Standard sheet IV</p>
<p>Socket-outlets also accept plugs according to standard SFS 5610 (CEE Publication 7) Standard sheets VII, XVI, XVII and plugs according to standard EN 50075.</p>				
<p>For reference and further information, see FI 7</p>				

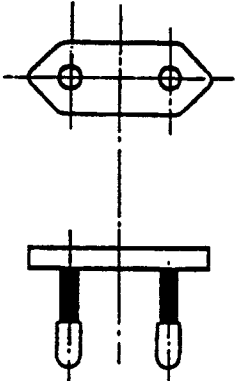
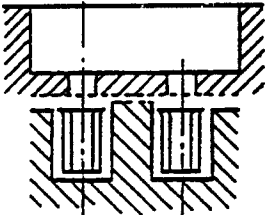
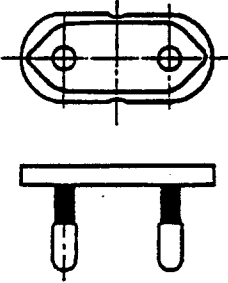
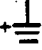
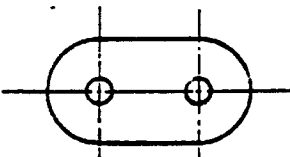
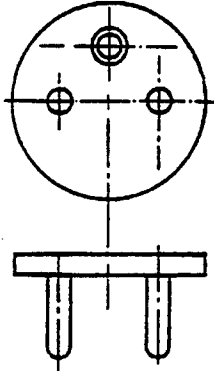
IEC 60083	NATIONAL SYSTEM USED IN FINLAND		FI 3 of FI 7	
			Date: 1996-11-20	
Number of Poles	Rated Values of Accessory		Sketch Designations	
	Voltage V	Current A	Socket-outlets	Plugs
2P+⊕	250	16	 <p>EMKO-TUI(23B-sec)001/90</p> <p>Standard sheet IIIA</p> <p>(For the supply of IT-equipment)</p>	 <p>EMKO-TUI(23B-sec)001/90</p> <p>Standard sheet IVA</p> <p>(For the supply of IT-equipment)</p>
For reference and further information, see FI 7				

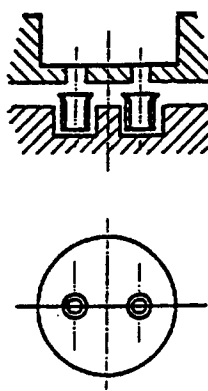
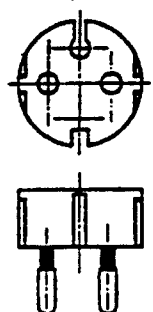
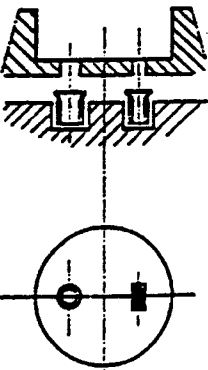
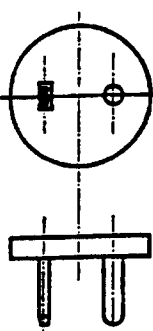
IEC 60083	NATIONAL SYSTEM USED IN FINLAND		FI 4 of FI 7	
			Date: 1994-11-09	
Number of Poles	Rated Values of Accessory		Sketch Designations	
	Voltage V	Current A	Socket-outlets	Plugs
2P	250	2,5	 <p>prEN 50074 Standard sheet I</p> <p>For appliances only</p>	 <p>SFS-EN 50075 Standard sheet I</p>
For reference and further information, see FI 7				

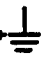
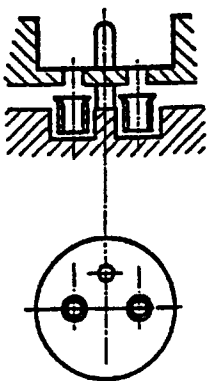
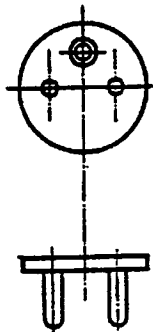
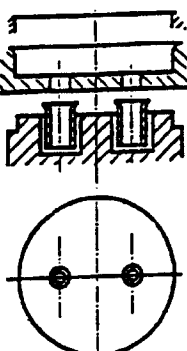
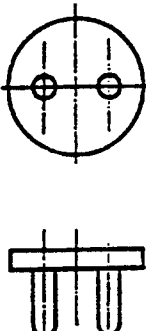
IEC 60083	NATIONAL SYSTEM USED IN FINLAND		FI 5 of FI 7	
			Date: 1994-11-09	
Number of Poles	Rated Values of Accessory		Sketch Designations	
	Voltage V	Current A	Socket-outlets	Plugs
2P+⊕	250	16		 <p>SFS 5610 (CEE 7) Standard sheet VII</p>
2P	250	2,5		<p>1)</p>  <p>SFS 5610 (CEE 7) Standard sheet XVI</p>
<p>1) Optional. Plugs shown above are compatible with socket-outlets according to standard SFS 5610 (CEE Publication 7) Standard sheets I and III.</p>				
<p>For reference and further information, see FI 7</p>				

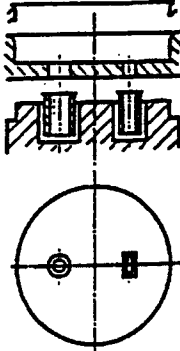
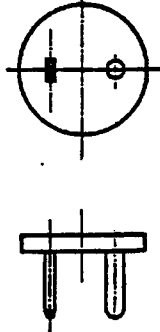

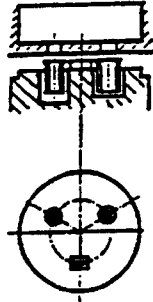
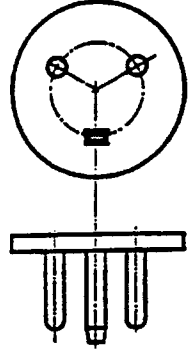
IEC 60083	NATIONAL SYSTEM USED IN FINLAND		FI 6 of FI 7	
			Date: 1994-11-09	
Number of Poles	Rated Values of Accessory		Sketch Designations	
	Voltage V	Current A	Socket-outlets	Plugs
2P	250	16		<p>1)</p>  <p>SFS 5610 (CEE 7) Standard sheet XVII</p>
<p>1) Optional. Plugs shown above are compatible with socket-outlets according to standard SFS 5610 (CEE Publication 7) Standard sheets I and III.</p>				
<p>For reference and further information, see FI 7</p>				

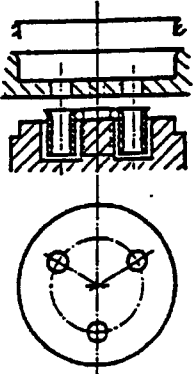
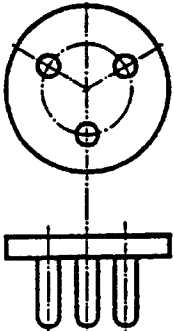

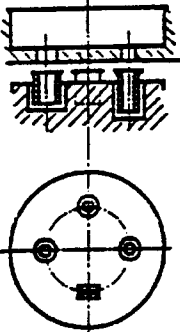
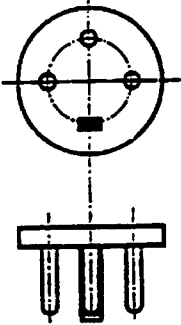
IEC 60083	NATIONAL SYSTEM USED IN FINLAND		FI 7 of FI 7	
			Date: 1996-11-20	
Number of Poles	Rated Values of Accessory		Sketch Designations	
	Voltage V	Current A	Socket-outlets	Plugs
2P	250	16	 <p>IEC 906-1 Standard sheet 3-1</p> <p>Portable only</p>	
Reference of National Standard or Regulation: SFS 5610 and SFS-EN 50075				
Socket-outlets shown above accept plugs according to SFS-EN 50075 Standard Sheet I.				
Further Information Obtainable From:		SESKO P.O. Box 134 FIN-00211 HELSINKI		Telephone: + 358 9 696391 Telefax: + 358 9 677059 Telex:
Distribution and Subscription From:		Finnish Standards Association SFS P.O. Box 116 FIN-00241 HELSINKI		Telephone: + 358 9 1499331 Telefax: + 358 9 1464914 Telex:

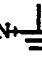
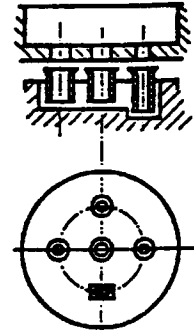
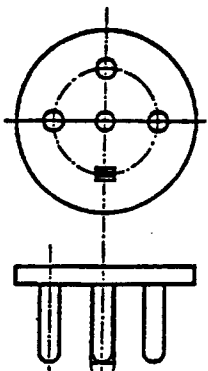
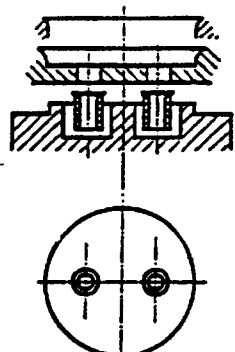
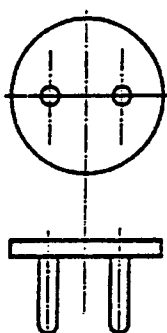
IEC 60083		National System used in FRANCE		FR 1 of FR 9
				Date: 1994-03-25
Number of poles	Rated values of accessory		Socket-outlets Sketch Designations	Plugs Sketch Designations
	Voltage V	Current A		
2P	250	2,5		 <p>NF C 61-304 = NFEN 50075</p>
2P	250	6		 <p>Sheet 1 bis</p>
2P + 	250	6	 <p>Sheet III (Portable only)</p> <p>NF C 61-321</p>	 <p>Sheet II</p>
For reference and further information, see FR 9				

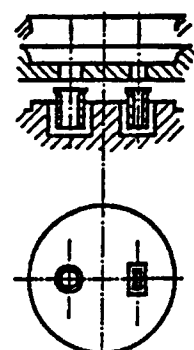
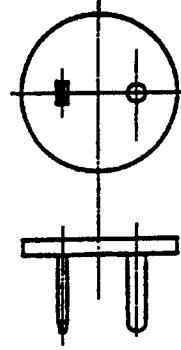
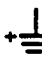
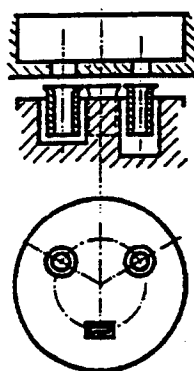
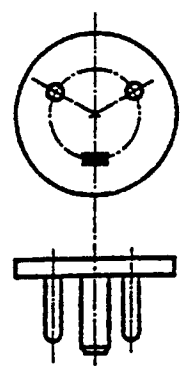
IEC 60083		National System used in FRANCE		FR 2 of FR 9
				Date: 1994-03-25
Number of poles	Rated values of accessory		Socket-outlets	Plugs
	Voltage V	Current A	Sketch Designations	Sketch Designations
2P	250	10/16	 <p>Sheet IIA</p>	 <p>Sheet IA</p>
			NF C 61-303	
2P	250	10/16	 <p>Sheet IVA</p>	 <p>Sheet IIIA</p>
			NF C 61-303	
For reference and further information, see FR 9				

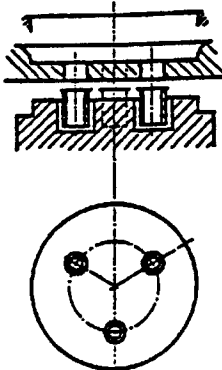
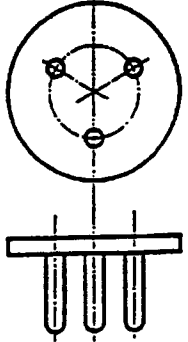

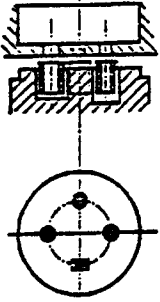
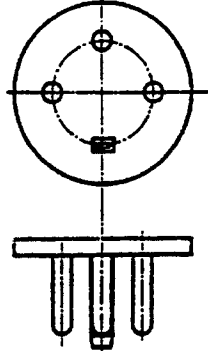
IEC 60083		National System used in FRANCE		FR 3 of FR 9
				Date: 1994-03-25
Number of poles	Rated values of accessory		Socket-outlets	Plugs
	Voltage V	Current A	Sketch Designations	Sketch Designations
2P 	250	10/16	 <p>Sheet IVA NF C 61-303</p>	 <p>Sheet VA</p>
2P	400	20	 <p>Sheet VIII NF C 61-316</p>	 <p>Sheet VII</p>
<p>For reference and further information, see FR 9</p>				

IEC 60083		National System used in FRANCE		FR 4 of FR 9
				Date: 1994-03-25
Number of. poles	Rated values of accessory		Socket-outlets Sketch Designations	Plugs Sketch Designations
	Voltage V	Current A		
2P	400	20	 Sheet X - NF C 61-316	 Sheet IX
2P + 	400	20	 Sheet XII NF C 61-316	 Sheet XI
For reference and further information, see FR 9				

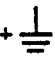
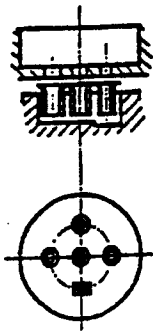
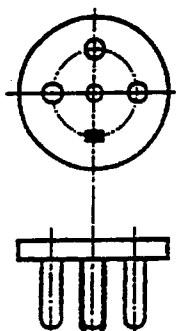
IEC 60083		National System used in FRANCE		FR 5 of FR 9
				Date: 1994-03-25
Number of poles	Rated values of accessory		Socket-outlets Sketch Designations	Plugs Sketch Designations
	Voltage V	Current A		
3P	400	20	 <p>Sheet XIV NF C 61-316</p>	 <p>Sheet XIII</p>
3P + 	400	20	 <p>Sheet XVI NF C 61-316</p>	 <p>Sheet XV</p>
For reference and further information, see FR 9				

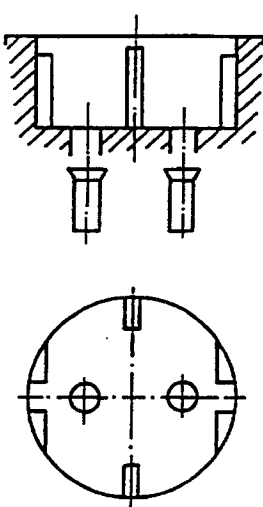
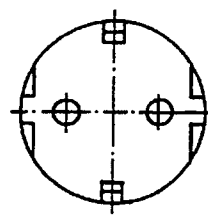
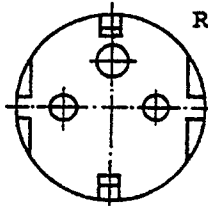
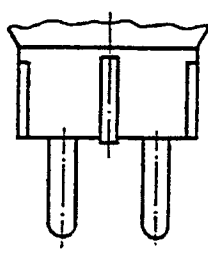
IEC 60083		National System used in FRANCE		FR 6 of FR 9
				Date: 1994-03-25
Number of poles	Rated values of accessory		Socket-outlets Sketch Designations	Plugs Sketch Designations
	Voltage V	Current A		
$3P+N$ 	400	20		
2P	400	32	 <p>Sheet XVIII NF C 61-316</p>	 <p>Sheet XVII</p>
<p>For reference and further information, see FR 9</p>				

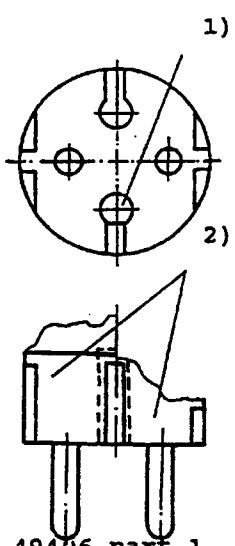
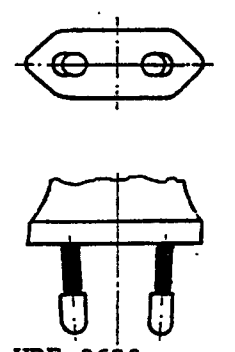
IEC 60083		National System used in FRANCE		FR 7 of FR 9
				Date: 1994-03-25
Number of poles	Rated values of accessory		Socket-outlets Sketch Designations	Plugs Sketch Designations
	Voltage V	Current A		
2P	400	32	 <p>Sheet XX NF C 61-316</p>	 <p>Sheet XIX</p>
2P + 	400	32	 <p>Sheet XXV NF C 61-316</p>	 <p>Sheet XXI</p>
For reference and further information, see FR 9				


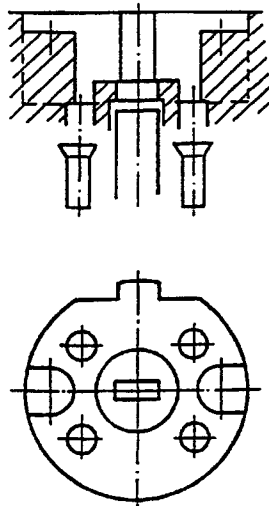
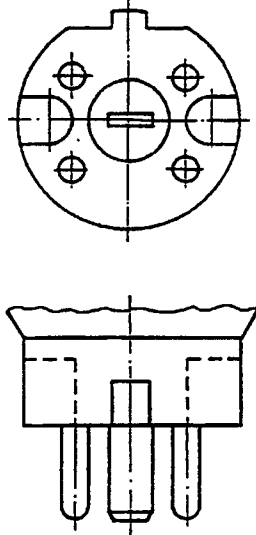

IEC 60083		National System used in FRANCE		FR 8 of FR 9
				Date: 1994-03-25
Number of poles	Rated values of accessory		Socket-outlets	Plugs
	Voltage V	Current A	Sketch Designations	Sketch Designations
3P	400	32	 <p>Sheet XXIV NF C 61-316</p>	 <p>Sheet XXIII</p>
3P + 	400	32	 <p>Sheet XXVI NF C 61-316</p>	 <p>Sheet XXV</p>

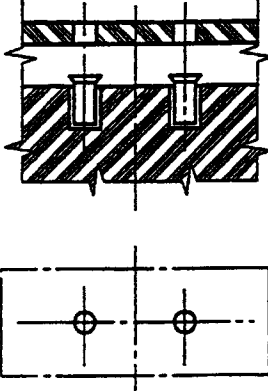
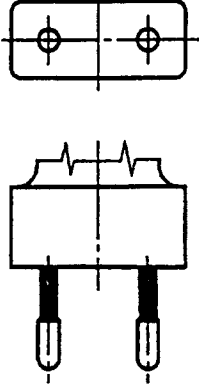

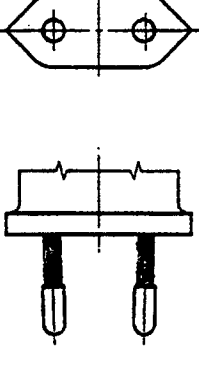
For reference and further information, see FR 9

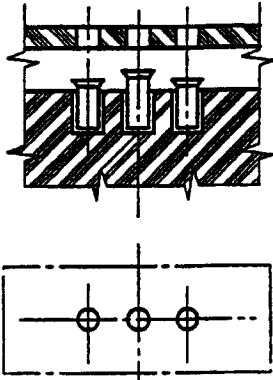
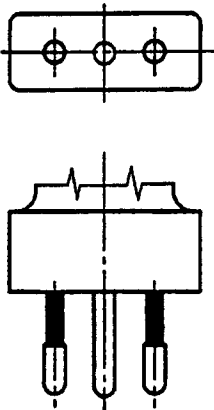
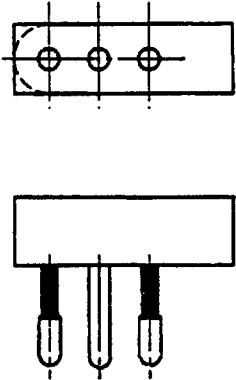
IEC 60083		National System used in FRANCE		FR 9 of FR 9	
				Date: 1994-03-25	
Number of poles	Rated values of accessory		Socket-outlets		Plugs
	Voltage V	Current A	Sketch Designations		Sketch Designations
3 P + N 	400	32			
Reference of National Standard or Regulation:					
Additional information:					
Further information obtainable from	UNION TECHNIQUE DE L'ELECTRICITE Immeuble Lavoisier 92052 PARIS LA DEFENCE CEDEX			Telephone: +33 146911111 Telefax: +33 147894587 Telex: CEFUTE 620816 F	
Distribution and Subscription from				Telephone: Telefax: Telex:	

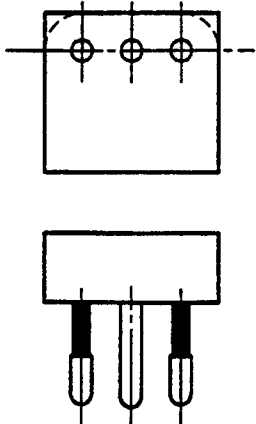
IEC 60083	NATIONAL SYSTEM USED IN Germany		DE 1 of DE 3	
	Rated Values of Accessory		Date: 1993-06-25	
Number of Poles			Sketch Designations	
	Voltage V	Current A	Socket-outlets	Plugs
2P+⊕	250	16	 <p>DIN 49440 parts 1, 5, 6 fix and portable</p>	<p>R1</p>  <p>R2</p>   <p>DIN 49441 part 1, types R1 and R2</p>
2P+⊕	250	16	<p>DIN 49440 part 3, splashproof portable only similar to part 1 1)</p>	<p>DIN 49441 part 2, splashproof, types AR1 and AR2 similar to part 1 1)</p>
<p>1) Portable socket-outlet and plugs are compatible with the system above.</p>				
<p>For reference and further information, see DE 3</p>				

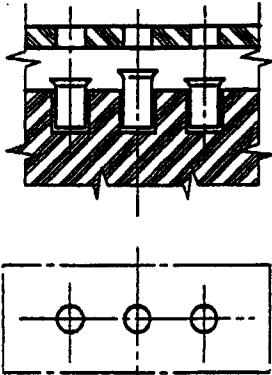
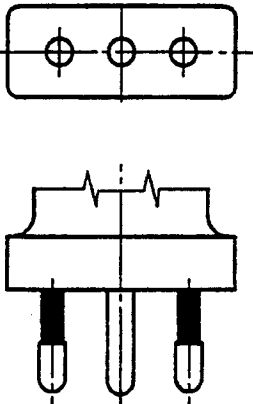
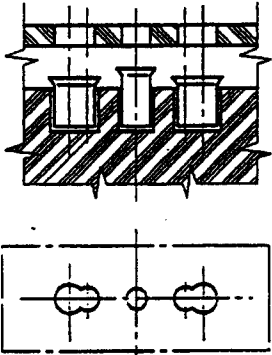
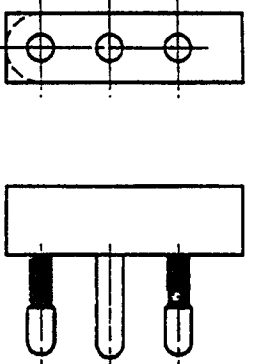
IEC 60083	NATIONAL SYSTEM USED IN Germany		DE 2 of DE 3	
			Date: 1993-06-25	
Number of Poles	Rated Values of Accessory		Sketch Designations	
	Voltage V	Current A	Socket-outlets	Plugs
2P	250	16		 <p>DIN 49406 part 1 1) and 2) optional</p>
2P	250	2,5		 <p>DIN VDE 0620 part 101 / 05.92</p>
Plugs of Page 2 are compatible with socket-outlets of page 1.				
For reference and further information, see DE 3				

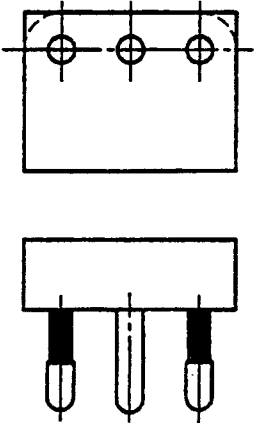
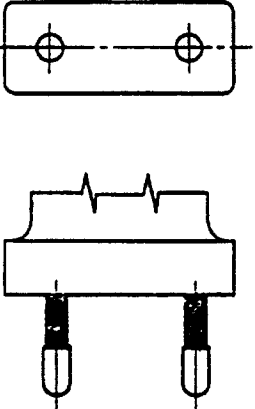
IEC 60083	NATIONAL SYSTEM USED IN		DE 3 of DE 3	
	Germany		Date: 1983-06-25	
Number of Poles	Rated Values of Accessory		Sketch Designations	
	Voltage V	Current A	Socket-outlets	Plugs
3P + N + 	400	16	 DIN 49445	 DIN 49446
3P + N + 	400	25	DIN 49447 similar to socket-outlet above, but earthing contact turned by 90 degrees	DIN 49448 similar to plug above but earthing pin turned by 90 degrees
Reference of National Standard or Regulation : DIN VDE 0620				
Further Information Obtainable From:				
		DKE Referat K 542 Stresemannallee 15 D60595 Frankfurt	Telephone: +49696308-0 Telefax: +49696312925 Telex: 669798 DKED	
Distribution and Subscription From:				
		Beuth Verlag GmbH Burggrafenstraße 6 D10787 Berlin	Telephone: +4930348001-0 Telefax: +49303417093 Telex: 181683	

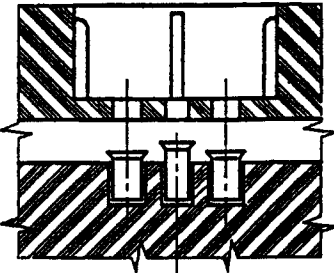
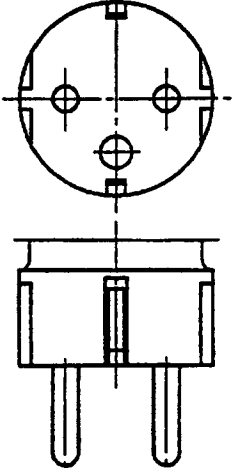
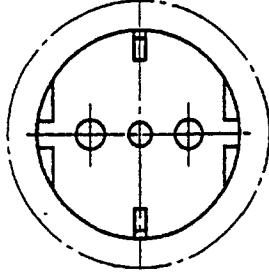
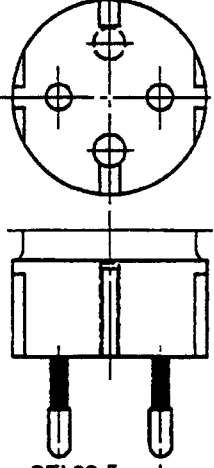
IEC 60083		National system used in ITALY		IT 1 of IT 7 Date: 1994-03-14	
Number of poles	Rated values of accessory		Socket - outlets		Plugs
	Voltage V	Current A	Sketch Designations		Sketch Designations
2P	250	10	 <p>CEI 23-16 and CEI 23-50 P 10 1)</p>		 <p>CEI 23-16 and CEI 23-50 S 10</p>
2P	250	2,5			 <p>CEI 23 - 34 S 33</p>
1) Portable socket-outlet for class II equipment					
For reference and further information , see IT 7					

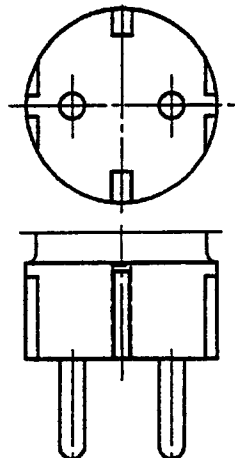
IEC 60083		National system used in ITALY		IT 2 of IT 7 Date: 1994-03-14
Number of poles	Rated values of accessory		Socket - outlets	Plugs
	Voltage V	Current A	Sketch Designations	Sketch Designations
2P+⊕	250	10	 <p>CEI 23-16 and CEI 23-50 P 11 1) FIXED AND PORTABLE</p>	 <p>CEI 23-16 and CEI 23-50 S 11</p>
2P+⊕	250	10		 <p>CEI 23-16 and CEI 23-50 SPA 11</p>
<p>1) The socket-outlets also accept plugs according to Standard Sheet S 10,S 33</p>				
<p>For reference and further information , see IT 7</p>				

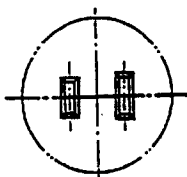
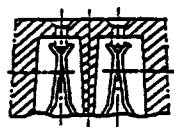
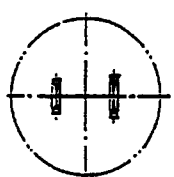
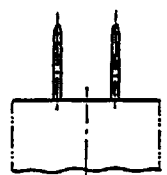
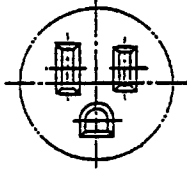
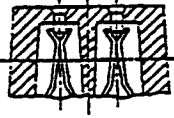
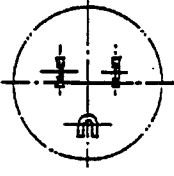
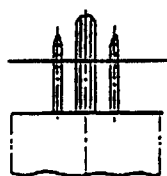
IEC 60083		National system used in ITALY		IT 3 of IT 7 Date: 1994-03-14
Number of poles	Rated values of accessory		Socket - outlets	Plugs
	Voltage V	Current A	Sketch Designations	Sketch Designations
2P+⊕	250	10		 <p>CEI 23-16 and CEI 23-50 SPB 11</p>
For reference and further information , see IT 7				

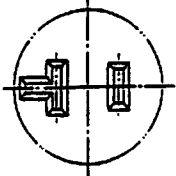
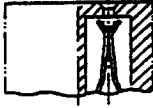
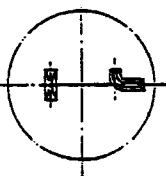
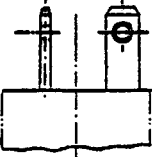
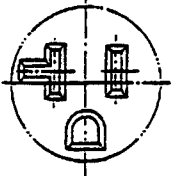
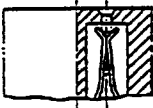
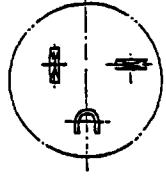
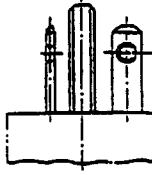
IEC 60083		National system used in ITALY		IT 4 of IT 7 Date: 1994-03-14	
Number of poles	Rated values of accessory		Socket - outlets		Plugs
	Voltage V	Current A	Sketch Designations		Sketch Designations
2P+⊕	250	16	 <p>CEI 23-16 and CEI 23-50 P 17 FIXED AND PORTABLE</p>	 <p>CEI 23-16 and CEI 23-50 S 17</p>	
2P+⊕	250	16	 <p>CEI 23-16 and CEI 23-50 P 17/11 1) FIXED AND PORTABLE</p>	 <p>CEI 23-16 and CEI 23-50 SPA 17</p>	
<p>1) The socket-outlets also accept plugs according to Standard Sheets S 10, S 33, S 11, SPA11, SPB11</p>					
<p>For reference and further information, see IT 7</p>					

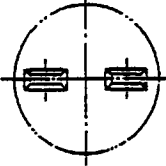
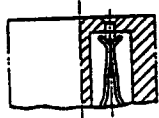
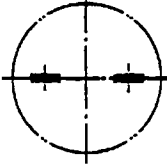
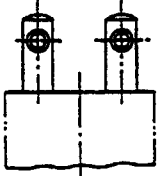
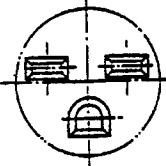
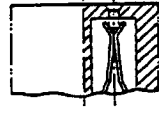
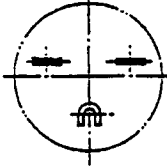
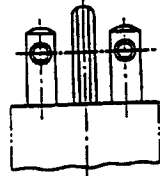
IEC 60083		National system used in ITALY		IT 5 of IT 7 Date: 1994-03-14
Number of poles	Rated values of accessory		Socket - outlets Sketch Designations	Plugs Sketch Designations
	Voltage V	Current A		
2P+⊕	250	16		 <p>CEI 23-16 and CEI 23-50 SPB 17</p>
2P	250	16		 <p>CEI 23-16 and CEI 23-50 S 16</p>
For reference and further information , see IT 7				

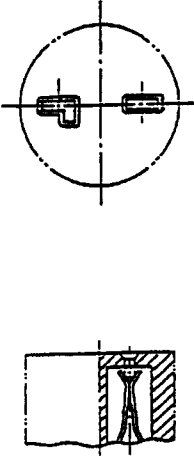
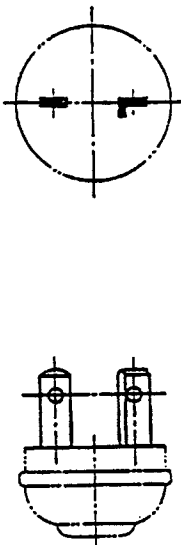
IEC 60083		National system used in ITALY		IT 6 of IT 7 Date: 1994-03-14
Number of poles	Rated values of accessory		Socket - outlets	Plugs
	Voltage V	Current A	Sketch Designations	Sketch Designations
2P+⊕	250	16	 <p>CEI 23-5 and CEI 23-50 P 30 1) FIXED AND PORTABLE</p>	 <p>CEI 23-5 and CEI 23-50 S 31 2)</p>
2P	250	16		 <p>CEI 23-5 and CEI 23-50 S 32 3)</p>
<p>1) The socket-outlets also accept plugs according to Standard Sheet S 10, S 33, S 11 2) Plugs with double earthing contact. 3) Plugs for class II equipment.</p>				
<p>For reference and further information, see IT 7</p>				

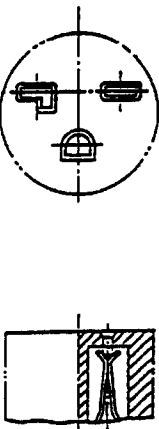
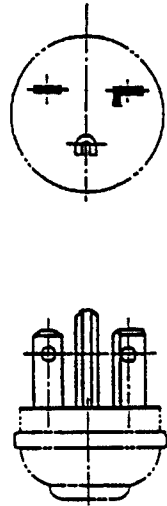
IEC 60083		National system used in ITALY		IT 7 of IT 7 Date: 1994-03-14
Number of poles	Rated values of accessory		Socket - outlets	Plugs
	Voltage V	Current A	Sketch Designations	Sketch Designations
2P+ ⊕	250	16		 <p>CEI 23-5 and CEI 23-50 S 30</p>
Reference of National standard or regulation: CEI 23-5 (corresponding to CEE 7), CEI 23-16 (in conformity with safety requirements of IEC 884-1), CEI 23-34 (corresponding to EN 50075), CEI 23-50 (corresponding to IEC 884-1).				
Further information obtainable from				
		CEI Comitato Elettrotecnico Italiano Viale Monza 259 20126 Milano		Telephone : +39 2 25773.1 Telefax : +39 2 25773.210
Distribution and Subscription from				
		CEI Comitato Elettrotecnico Italiano Viale Monza 259 20126 Milano		Telephone : +39 2 25773.1 Telefax : +39 2 25773.210

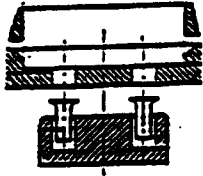
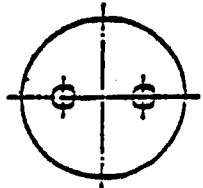
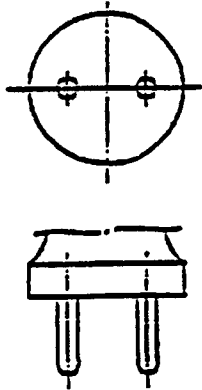
IEC 60083	NATIONAL SYSTEM USED IN J A P A N		JP 1 of JP 5 Date: 1994-10-10	
	Number of Poles	Rated Values of Accessory		Sketch Designations
		Voltage V	Current A	Socket-outlets
2 P	125 V	15 A	 1)  JIS C 8303 Fig. 1. (1)	 1)  JIS C 8303 Fig. 1. (1)
2 P + ⊕	125 V	15 A	  JIS C 8303 Fig. 2. (1)	  JIS C 8303 Fig. 2. (1)
1) Polarity may be omitted.				
For reference and further information, see JP 5				


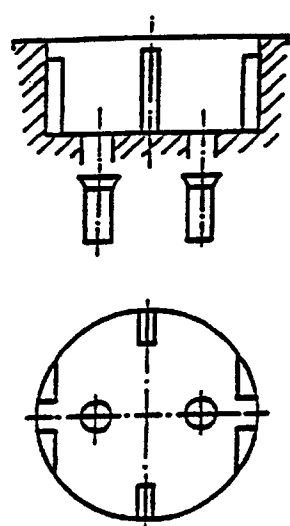
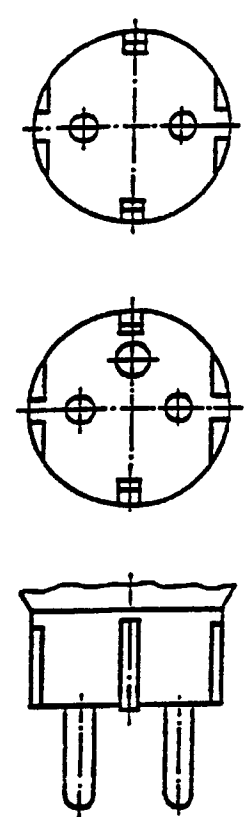
IEC 60083	NATIONAL SYSTEM USED IN J A P A N		JP 2 of JP 5 Date: 1994-10-10	
	Rated Values of Accessory		Sketch Designations	
Number of Poles	Voltage V	Current A	Socket-outlets	Plugs
2 P	125 V	20 A	  1) JIS C 8303 Fig. 1. (7)	  JIS C 8303 Fig. 1. (3)
2 P + ⊕	125 V	20 A	  2) JIS C 8303 Fig. 2. (7)	  JIS C 8303 Fig. 2. (3)
1) The socket-outlets also accept plugs according to Fig.1.(1) on page 1 . 2) The socket-outlets also accept plugs according to Fig.1.(1) and Fig.2.(1) on page 1 , and Fig.1.(3) on page 2 .				
For reference and further information, see JP 5				

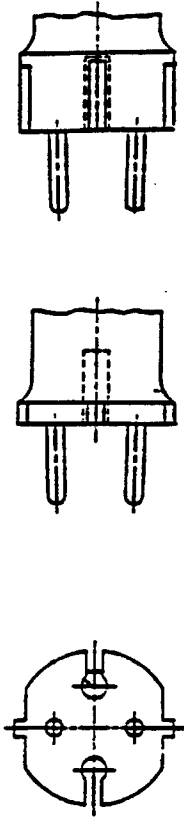
IEC 60083	NATIONAL SYSTEM USED IN J A P A N		JP 3 of JP 5	
	Rated Values of Accessory		Sketch Designations	
Number of Poles	Voltage V	Current A	Socket-outlets	Plugs
2 P	250 V	15 A	  JIS C 8303 Fig. 1. (2)	  JIS C 8303 Fig. 1. (2)
2 P + ⊕	250 V	15 A	  JIS C 8303 Fig. 2. (5)	  JIS C 8303 Fig. 2. (5)
For reference and further information, see JP 5				

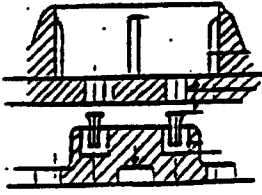
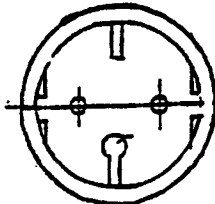
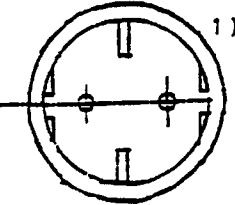
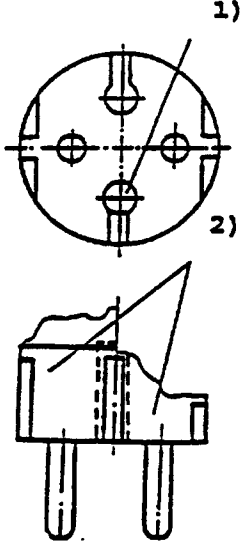
IEC 60083	NATIONAL SYSTEM USED IN J A P A N		JP 4 of JP 5	
			Date: 1994-10-10	
Number of Poles	Rated Values of Accessory		Sketch Designations	
	Voltage V	Current A	Socket-outlets	Plugs
2 P	250 V	20 A	 <p>1)</p> <p>J I S C 8 3 0 3 F i g . 1 . (8)</p>	 <p>J I S C 8 3 0 3 F i g . 1 . (8)</p>
1) The socket-outlet also accept plugs according to Fig.1.(2) on page 3 .				
For reference and further information, see JP 5				

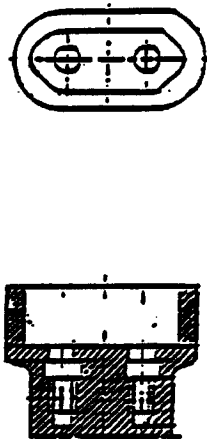
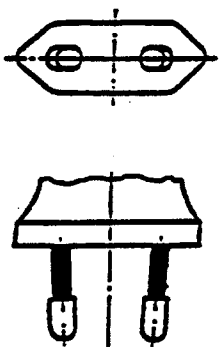
IEC 60083	NATIONAL SYSTEM USED IN J A P A N		JP 5 of JP 5	
			Date: 1994-10-10	
Number of Poles	Rated Values of Accessory		Sketch Designations	
	Voltage V	Current A	Socket-outlets	Plugs
2 P + ⊕	250 V	20 A	 <p style="text-align: center;">1)</p> <p style="text-align: center;">J I S C 8 3 0 3 Fig. 2. (8)</p>	 <p style="text-align: center;">J I S C 8 3 0 3 Fig. 2. (8)</p>
Reference of National Standard or Regulations: J I S C 8 3 0 3				
1) The socket-outlets also accept plugs according to Fig.1.(2) and Fig.2.(5) on page 3 and Fig.1.(8) on page 4.				
Further Information Obtainable From:	JAPANESE STANDARDS ASSOCIATION (JSA) 4-1-24 Akasaka, Minato-ku, Tokyo 107, Japan		Telephone: +81(3) 3583 8005 Telefax: +81(3) 3586 2014 Telex:	
Distribution and Subscription From:	JAPAN ELECTRICAL WIRING DEVICES AND EQUIPMENT INDUSTRIES ASSOCIATION No.11 Murakami Building 13-4 Nihombashi Hisamatsu-cho, Chuo-ku, Tokyo 103, Japan		Telephone: +81(3) 5640 1611 Telefax: +81(3) 5640 1613 Telex:	

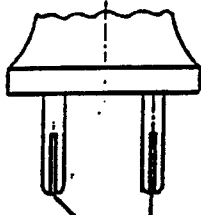
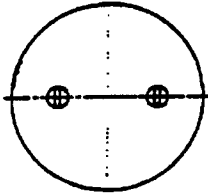
IEC 60083	NATIONAL SYSTEM USED IN The Netherlands		NL 1 of NL 6	
			Date: 1996-01-31	
Number of poles	Rated values of accessory		Sketch designations	
	Voltage V	Current A	Socket-outlets	Plugs
2P	250	10/16	 	
			NEN 1020, 4th edition (CEE 7) standard sheet I fixed and portable	NEN 1020, 4th edition (CEE 7) standard sheet II
Socket-outlets also accept plugs according to NEN 1020, 4th edition (CEE publication 7) standard sheet IV, VII, XVI, XVII, CII and plugs according to EN 50075.				
For reference and further information, see NL 6				


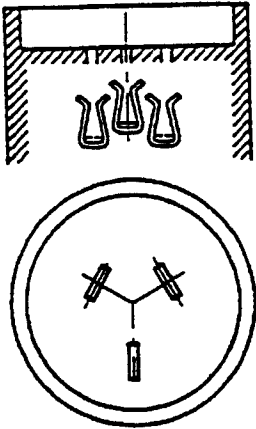
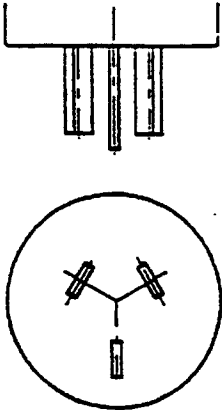

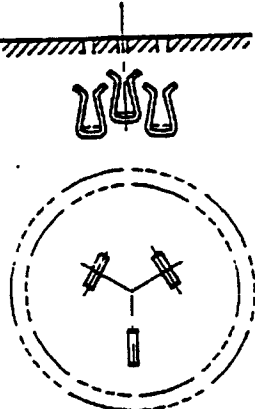
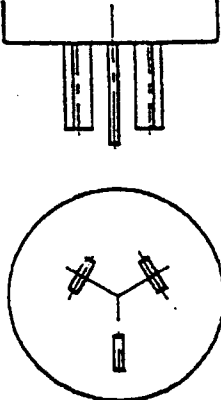
IEC 60083	NATIONAL SYSTEM USED IN The Netherlands		NL 2 of NL 6	
			Date: 1996-01-31	
Number of poles	Rated values of accessory		Sketch designations	
	Voltage V	Current A	Socket-outlets	Plugs
2P + 	250	10/16	 <p>NEN 1020, 4th edition (CEE 7) standard sheet III fixed and portbale</p>	 <p>NEN 1020, 4th edition (CEE 7) standard sheet IV and VII</p>
<p>Socket outlets also accept plugs according to standard NEN 1020, 4th edition (CEE publication 7) standard sheet XVI, XVII and plugs according to EN 50075.</p>				
<p>For reference and further information, see NL 6</p>				

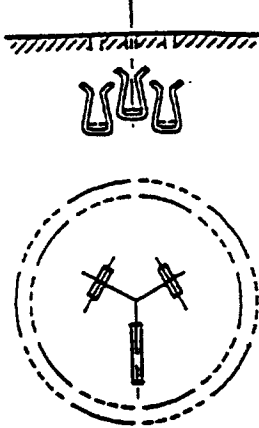
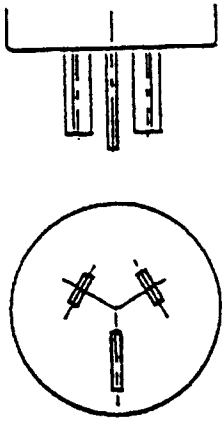
IEC 60083	NATIONAL SYSTEM USED IN The Netherlands		NL 3 of NL 6	
			Date: 1996-01-31	
Number of poles	Rated values of accessory		Sketch designations	
	Voltage V	Current A	Socket-outlets	Plugs
2P	250	2,5		 <p>NEN 1020, 4th edition (CEE 7) standard sheet XVI</p>
For reference and further information, see NL 6				

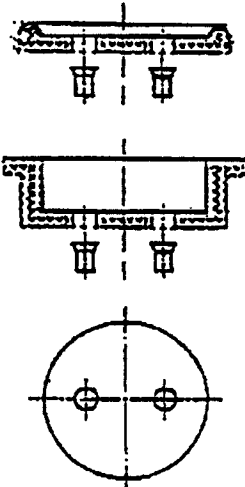
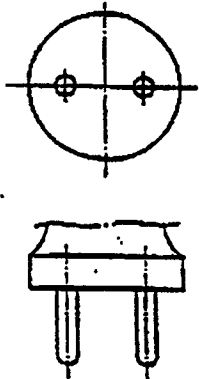
IEC 60083	NATIONAL SYSTEM USED IN The Netherlands		NL 4 of NL 6	
			Date: 1996-01-31	
Number of poles	Rated values of accessory		Sketch designations	
	Voltage V	Current A	Socket-outlets	Plugs
2P	250	10/16	  	
			NEN 1020, 4th edition portable 1) optional	NEN 1020, 4th edition (CEE 7) standard sheet XVII 1) and 2) optional
The socket outlet also accept plugs according to EN 50075.				
For reference and further information, see NL 6				


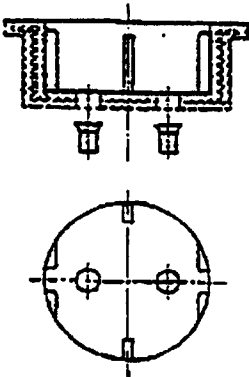
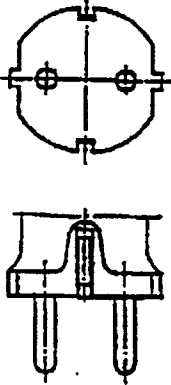
IEC 60083	NATIONAL SYSTEM USED IN The Netherlands		NL 5 of NL 6 Date: 1996-01-31	
	Number of poles	Rated values of accessory		Sketch designations
		Voltage V	Current A	Socket-outlets
2P	250	2,5		
			NEN 1020, 4th edition standard sheet C III portable	EN 50075
For reference and further information, see NL 6				


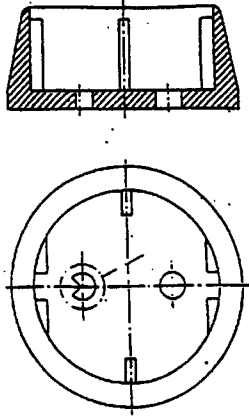
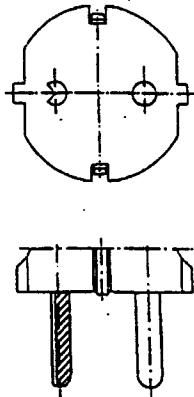
IEC 60083	NATIONAL SYSTEM USED IN The Netherlands		NL 6 of NL 6	
			Date: 1996-01-31	
Number of poles	Rated values of accessory		Sketch designations	
	Voltage V	Current A	Socket-outlets	Plugs
2P	250	6		 <p>Optional</p>  <p>NEN 1020, 4th edition standard sheet C II</p>
Reference of National Standard or Regulation: NEN 1020, 4th edition				
Further information obtainable from:			Nederlands Normalisatie-instituut Postbus 5059 2600 GB Delft	
Distribution and subscription from:			Nederlands Normalisatie-instituut Postbus 5059 2600 GB Delft	
			Telephone: +31 15 2 690 390 Telefax: +31 15 2 690 190	
			Telephone: +31 15 2 690 390 Telefax: +31 15 2 690 190	

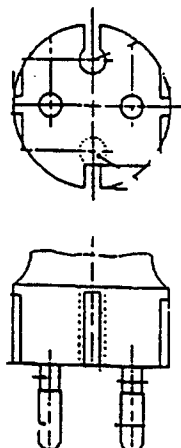
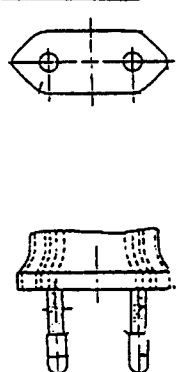
IEC 60083	NATIONAL SYSTEM USED IN NEW ZEALAND		NZ 1 OF NZ 2	
			Date: 1996-11-01	
Number of poles	Rated values of accessory		Sketch designations	
	Voltage V	Current A	Socket-outlets	Plugs
2P+ 	250	10	 Portable	
2P+ 	250	10	 Fixed	
Portable socket-outlets for cords are specified in AS/NZS 3120. AS/NZS 3112 provides for a 2 pole 10A plug. A 10A plug is compatible with a 15A socket-outlet. A 15A plug is prevented from entering a 10A socket-outlet by the size of the earth pin.				
For reference and further information, see NZ 2				


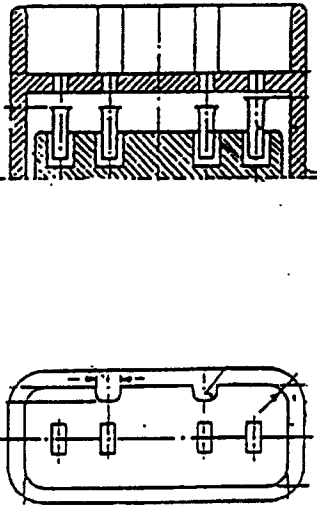
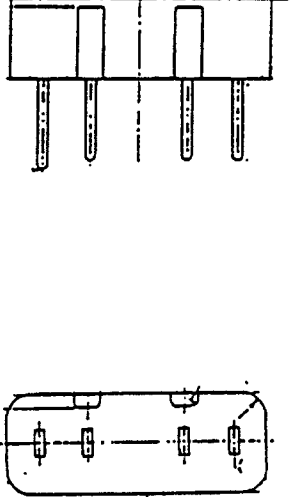
IEC 60083	NATIONAL SYSTEM USED IN NEW ZEALAND		NZ 2 OF NZ 2	
			Date: 1996-11-01	
Number of poles	Rated values of accessory		Sketch designations	
	Voltage V	Current A	Socket-outlets	Plugs
2P+⊕	250	15	 <p>Portable and fixed</p>	
Reference of National Standard or Regulation: AS/NZS 3112 Figures 2.1 and 3.5 AS/NZS 3120 Figure 1				
Further information obtainable from:		Standards New Zealand Private Bag 2439 Wellington 6020 New Zealand		Telephone: +64 4 498 5990 Telefax: +64 4 498 5994 Telex:
Distribution and subscription from:		Standards New Zealand Private Bag 2439 Wellington 6020 New Zealand		Telephone: +64 4 498 5990 Telefax: +64 4 498 5994 Telex:


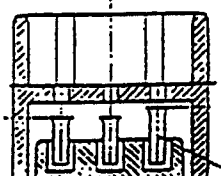
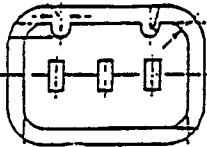
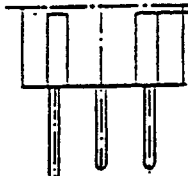
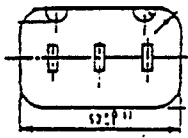
IEC 60083	NATIONAL SYSTEM USED IN NORWAY		NO 1 of NO 6	
			Date: 1994-11-22	
Number of Poles	Rated Values of Accessory		Sketch Designations	
	Voltage V	Current A	Socket-outlets	Plugs
2P	250	16	 <p>NEK 502 (CEE 7) Standard Sheet I</p>	 <p>NEK 502 (CEE 7) Standard Sheet II</p>
For reference and further information, see page NO 6				

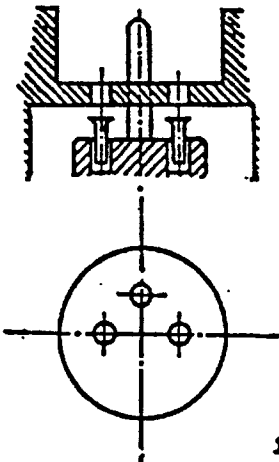
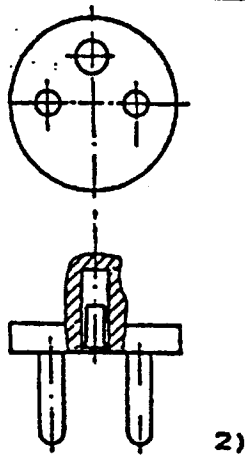
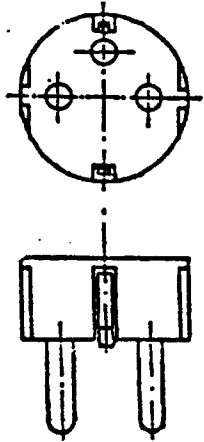
IEC 60083	NATIONAL SYSTEM USED IN NORWAY		NO 2 of NO 6	
			Date: 1994-11-22	
Number of Poles	Rated Values of Accessory		Sketch Designations	
	Voltage V	Current A	Socket-outlets	Plugs
2 	250	16	 <p>NEK 502 (CEE 7) Standard Sheet III</p>	 <p>NEK 502 (CEE 7) Standard Sheet IV</p>
For reference and further information, see page NO 6				

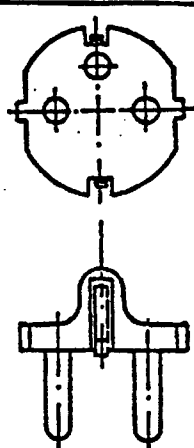
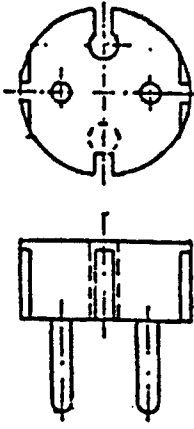
IEC 60083	NATIONAL SYSTEM USED IN NORWAY		NO 3 of NO 6	
			Date: 1994-11-22	
Number of Poles	Rated Values of Accessory		Sketch Designations	
	Voltage V	Current A	Socket-outlets	Plugs
2+ 	250	16	 <p>NEK 602 Standard Sheet III A (For the supply of IT-equipment)</p>	 <p>NEK 602 Standard Sheet IV A (For the supply of IT-equipment)</p>
For reference and further information, see page NO 6				

IEC 60083	NATIONAL SYSTEM USED IN NORWAY		NO 4 of NO 6	
			Date: 1994-11-22	
Number of Poles	Rated Values of Accessory		Sketch Designations	
	Voltage V	Current A	Socket-outlets	Plugs
2	250	16		 <p>CEE 7 Standard Sheet XVII</p>
2	250	2,5		 <p>CEE 7 Standard Sheet XVI or EN 50075</p>
<p>For reference and further information, see page NO 6</p>				

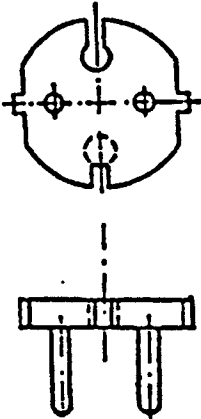
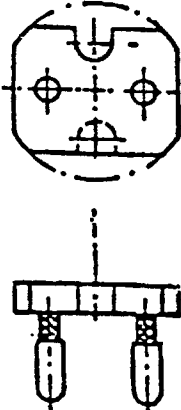
IEC 60083	NATIONAL SYSTEM USED IN NORWAY		NO 5 of NO 6	
			Date: 1994-11-22	
Number of Poles	Rated Values of Accessory		Sketch Designations	
	Voltage V	Current A	Socket-outlets	Plugs
3+ 	380	25	 <p>CEE 7 Standard Sheet X</p>	 <p>CEE 7 Standard Sheet XI</p>
For reference and further information, see NO 6				

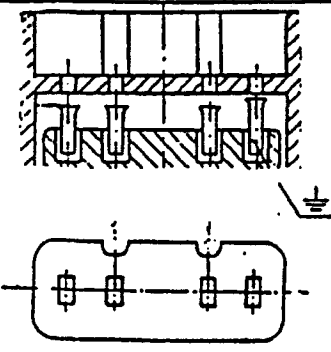
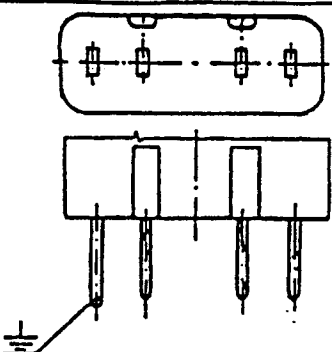
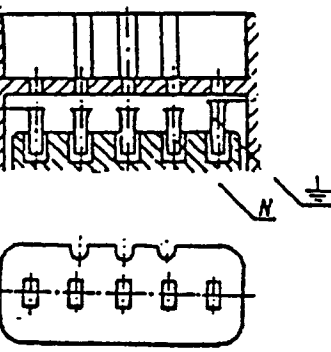
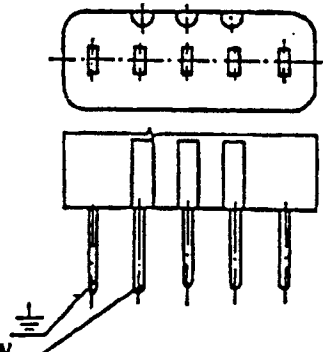
IEC 60083	NATIONAL SYSTEM USED IN NORWAY		NO 6 of NO 6	
			Date: 1994-11-22	
Number of Poles	Rated Values of Accessory		Sketch Designations ...	
	Voltage V	Current A	Socket-outlets	Plugs
2+ 	380	25	  <p>CEE 7 Standard Sheet X</p>	  <p>CEE 7 Standard Sheet XI</p>
Reference of National Standard or Regulation: NEK 502 (CEE 7)				
Further Information Obtainable From :				
		NEK Box 280 Skøyen N-0212 Oslo Norway	Telephone: +4722526950 Telefax: +4722526961 Telex:	
Distribution and Subscription From :				
		NEK Box 280 Skøyen N-0212 Oslo Norway	Telephone: +4722526950 Telefax: +4722526961 Telex:	

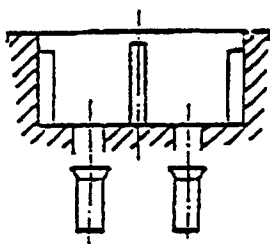
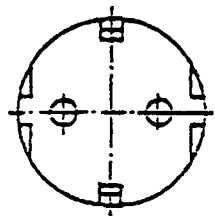
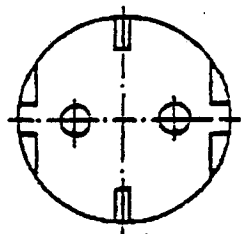
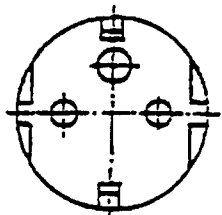
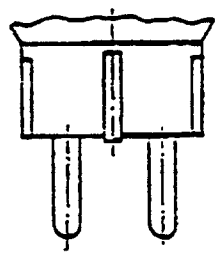
IEC 60083	NATIONAL SYSTEM USED IN POLAND		Page: 1 of 5 Date: 94-11-28	
	Number of Poles	Rated Values of Accessory		Sketch Designations
		Voltage V	Current A	Socket-outlets
2P+ ⊕	250	10/16	 <p>1) BN-88/3064-18 Fig.2 Fixed and portable</p>	 <p>2) BN-88/3064-20 Fig.2</p>
2P	250	10/16		 <p>BN-88/3064-20 Fig.3</p>
<p>1) The socket-outlet also accept plugs according to BN-88/3064-20 Fig.3 and BN-88/3064-21 Fig.1,2,3. 2) Plugs having 4mm pins are marked with the rated current 6 or 10A.</p>				
For reference and further information, see page 5				

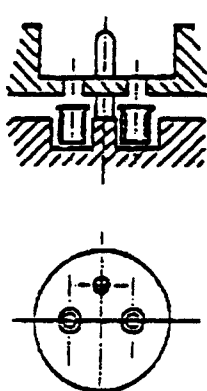
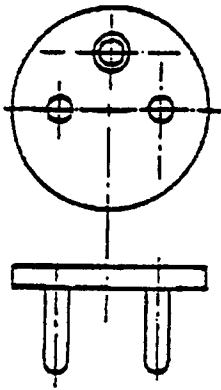
IEC 60083	NATIONAL SYSTEM USED IN POLAND		Page: 2 of 5 Date: 94-11-28	
	Number of Poles	Rated Values of Accessory		Sketch Designations
		Voltage V.	Current A.	Socket-outlets
2P	250	10/16		 <p>BN-88/3064-20 Fig.3</p>
2P	250	2,5 or 10/16		 <p>BN-88/3064-21 Fig.1</p>

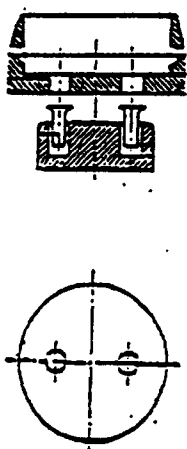
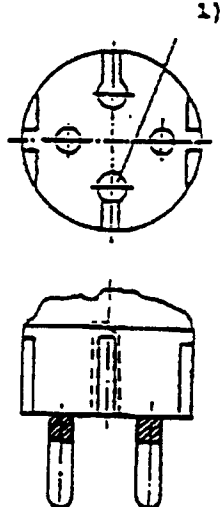
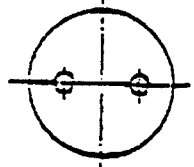
For reference and further information, see page 5

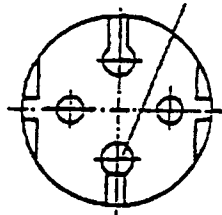
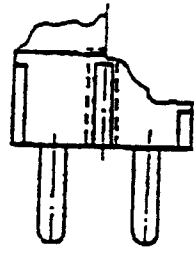
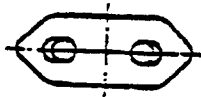
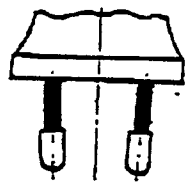
IEC 60083	NATIONAL SYSTEM USED IN POLAND		Page: 3 of 5 Date: 94-11-28		
	Number of Poles	Rated Values of Accessory		Sketch Designations	
Voltage V		Current A	Socket-outlets	Plugs	
2P	250	2,5 or 10/16		 <p>BN-88/3064-21 Fig.1</p>	
2P	250	10/16		 <p>BN-88/3064-21 Fig.3</p>	
For reference and further information, see page 5					

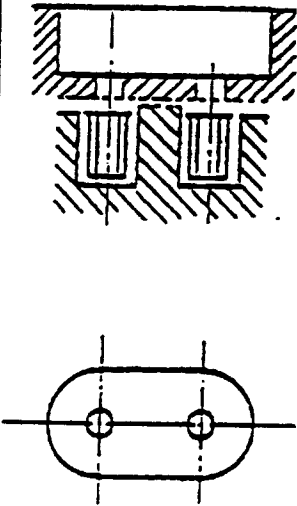
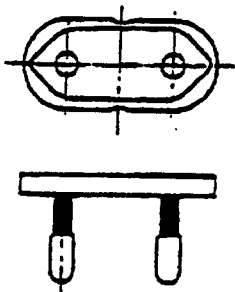
IEC 60083	NATIONAL SYSTEM USED IN. POLAND		Page: 5 of 5 Date: 94-11-28	
	Number of Poles	Rated Values of Accessory	Sketch Designations	
	Voltage V	Current A	Socket-outlets	Plugs
3P+⊕	380	25	 <p>BN-88/3064-19 Fig.1 Fixed and portable</p>	 <p>BN-88/3064-22 Fig.1</p>
3P+N+⊕	380	25	 <p>BN-88/3064-19 Fig.2 Fixed and portable</p>	 <p>BN-88/3064-22 Fig.2</p>
Reference of National Standard or Regulation:				
Further Information Obtainable From:	Ośrodek Informacji Normalizacyjnej i Dokumentacji ul. Elektoralna 2 00-139 Warszawa		Telephone: 620-02-41 w. 354 Telefax: 620-07-41 Telex:	
Distribution and Subscription From:	Wydawnictwo Normalizacyjne Alfa WERO Spółka z o.o. ul. Sienna 63, 00-820 Warszawa		Telephone: 620-70-23 Telefax: 620-71-31 Telex:	

IEC 60083	NATIONAL SYSTEM USED IN PORTUGAL		PT 1 of PT 8	
			Date: 1995-08-15	
Number of poles	Rated values of accessory		Sketch designations	
	Voltage V	Current A	Socket-outlets	Plugs
2P+⊖	250	16		 NP 1260 Standard sheet IV
				 NP 1260 Standard sheet IX
			NP 1260 Standard sheet III Fixed and portable	
1) The socket-outlet also accepts plugs according to European Standard EN 50 075 .				
For reference and further information, see PT 8				

IEC 60083	NATIONAL SYSTEM USED IN PORTUGAL		PT 2 of PT 8	
			Date: 1995-08-15	
Number of poles	Rated values of accessory		Sketch designations	
	Voltage V	Current A	Socket-outlets	Plugs
2P + ⊕	250	16	 <p>NP 1260 Standard sheet V</p>	 <p>NP 1260 Standard sheet VI</p>
For reference and further information, see PT 8				

IEC 60083	NATIONAL SYSTEM USED IN PORTUGAL		PT 3 of PT 8	
			Date: 1995-08-15	
Number of poles	Rated values of accessory		Sketch designations	
	Voltage V	Current A	Socket-outlets	Plugs
2P	250	16	 <p>NP 1260 Standard sheet I Fixed and portable</p>	<p>2)</p>  <p>NP 1260 Standard sheet X I. Optional.</p>  <p>NP 1260 Standard sheet II</p>
<p>1) The socket-outlet also accepts plugs according to European Standard EN 50 075.</p>				
<p>For reference and further information, see PT 8</p>				

IEC 60083	NATIONAL SYSTEM USED IN PORTUGAL		PT 4 of PT 8	
			Date: 1995-08-15	
Number of poles	Rated values of accessory		Sketch designations	
	Voltage V	Current A	Socket-outlets	Plugs
2P	250	2,5		<p>1)</p>   <p>1) optional</p>   <p>NP 1260 Standard sheet X</p>
1) The plugs are used for Class II equipment.				
For reference and further information, see PT 8				

IEC 60083	NATIONAL SYSTEM USED IN PORTUGAL		PT 5 of PT 8	
			Date: 1995-08-15	
Number of poles	Rated values of accessory		Sketch designations	
	Voltage V	Current A	Socket-outlets	Plugs
2P	250	6	 <p>NP 1260 Standard Sheet VII Portable only</p>	 <p>NP 1260 Standard Sheet VIII</p>
For reference and further information, see PT 8				